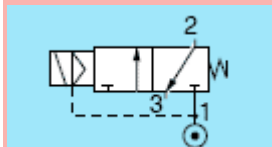


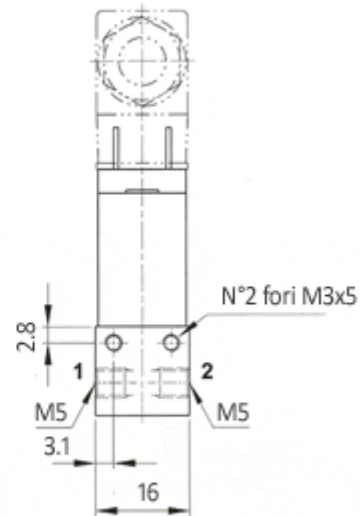
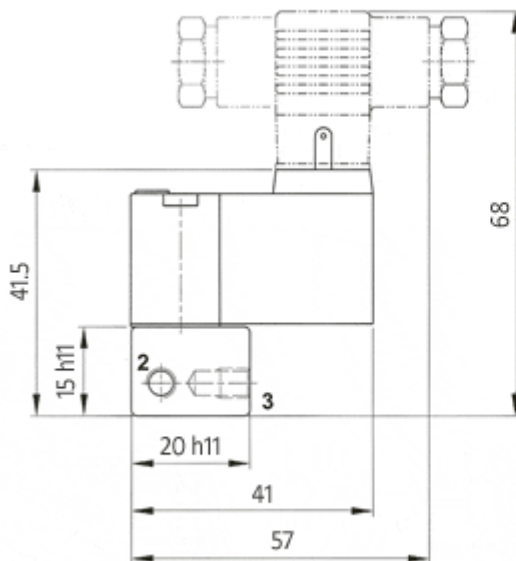
**SOLENOID OPERATORS RANGE**

**ACCESSORIES  
PNEUMATIC DISTRIBUTORS**

**VERSION 15 - 2,5 W**



	Symbol	Weight g	Model
SINGLE STABLE POSITION 3/2 NC		38	<b>45601</b>

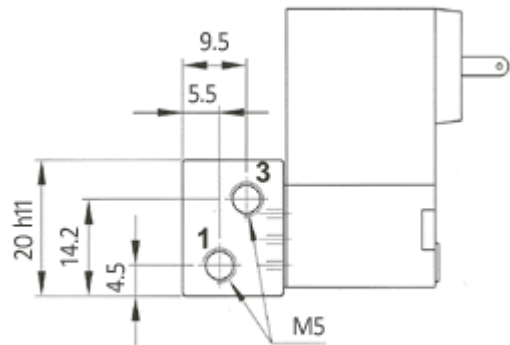
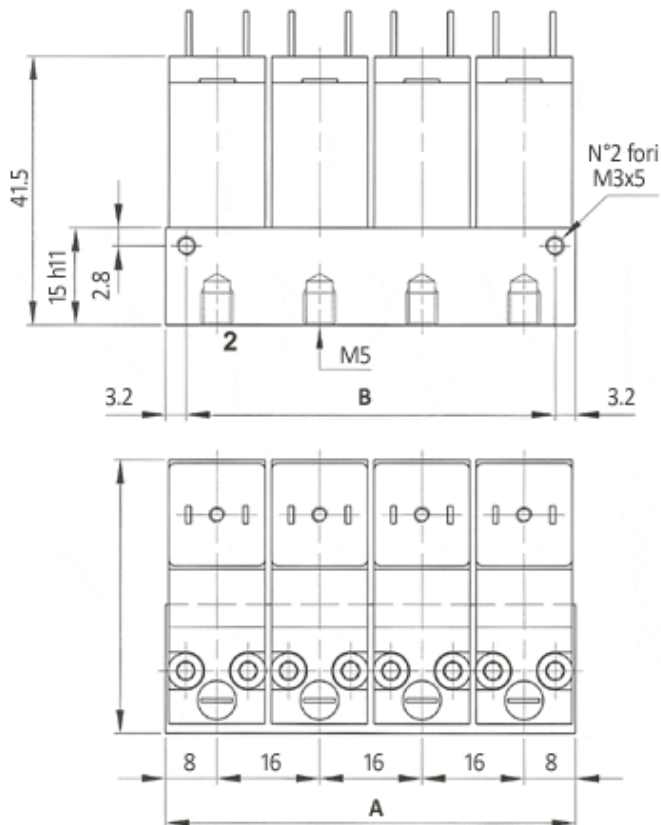


## VERSION 15 - 2,5 W



N° positions	Weight g	Model
2	66	<b>45602</b>
3	92	<b>45603</b>
4	116	<b>45604</b>
5	141	<b>45605</b>
6	165	<b>45606</b>
7	190	<b>45607</b>
8	216	<b>45608</b>
9	242	<b>45609</b>
10	266	<b>45610</b>

Max. 10 positions



N° positions	A	B	Weight Gr.	Model
2	32	26.6	66	<b>45602</b>
3	48	41.6	92	<b>45603</b>
4	64	57.6	116	<b>45604</b>
5	80	73.6	141	<b>45605</b>
6	96	89.6	165	<b>45606</b>
7	112	105.6	190	<b>45607</b>
8	128	121.6	216	<b>45608</b>

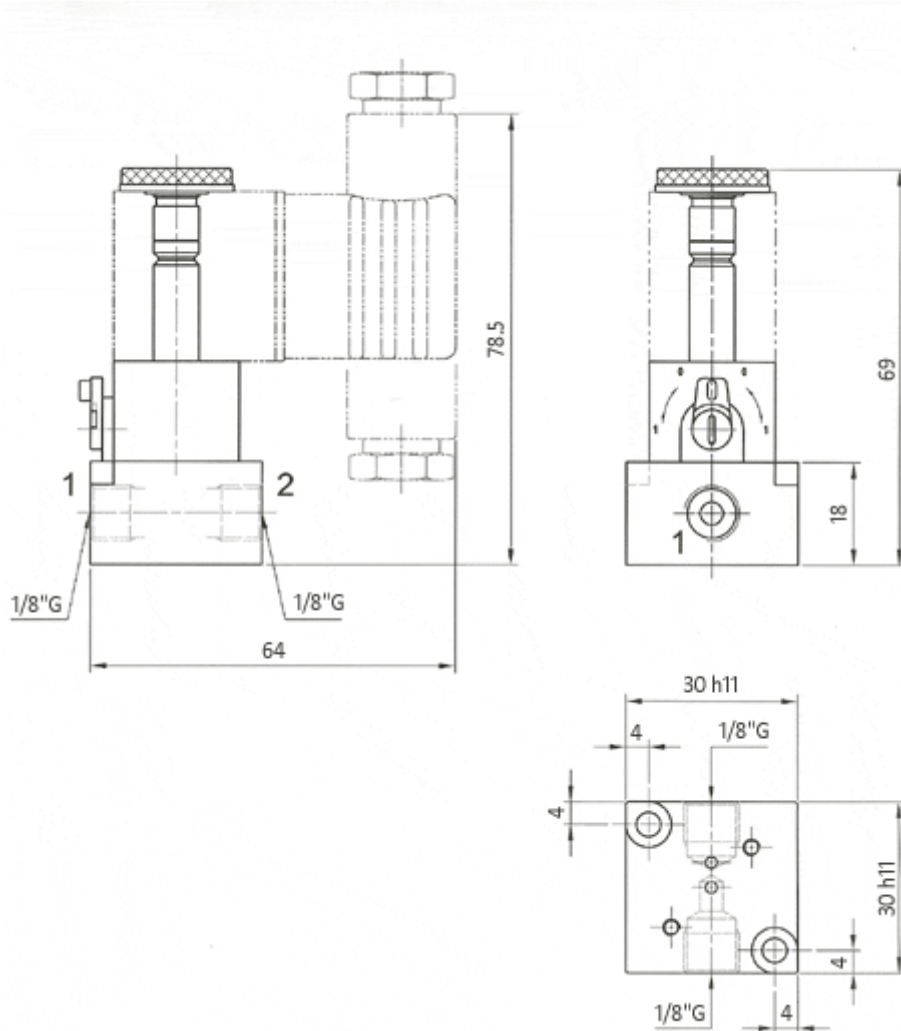


9	144	137.6	242	<b>45609</b>
10	160	153.6	266	<b>45610</b>

**VERSION 22 - 5 W**



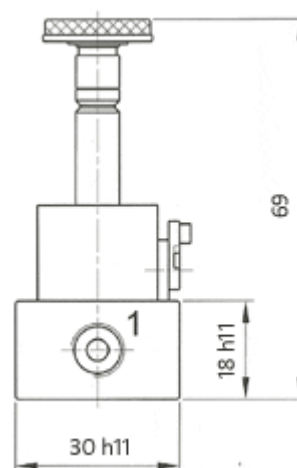
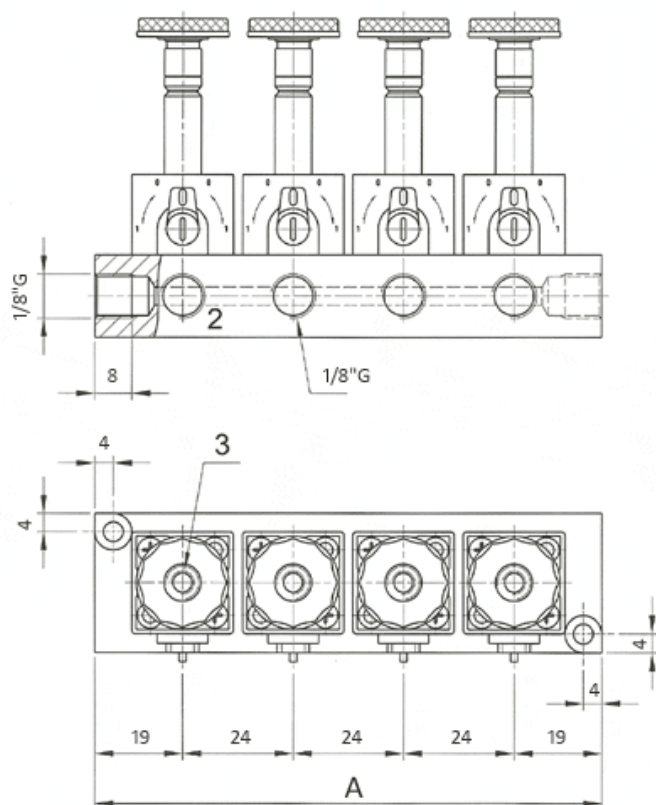
	Symbol	Weight g	Model
SINGLE STABLE POSITIONE 3/2 NC		58	<b>45501</b>



## VERSION 22 - 5 W



N° positions	Weight g	Model
2	115	<b>45502</b>
3	150	<b>45503</b>
4	185	<b>45504</b>
5	220	<b>45505</b>
6	255	<b>45506</b>
7	290	<b>45507</b>
8	325	<b>45508</b>
9	360	<b>45509</b>
10	395	<b>45510</b>



N° positions	A	Weight Gr.	Model
2	62	115	<b>45502</b>
3	86	150	<b>45503</b>
4	110	185	<b>45504</b>
5	134	220	<b>45505</b>
6	158	255	<b>45506</b>
7	182	290	<b>45507</b>
8	206	325	<b>45508</b>
9	230	360	<b>45509</b>
10	254	375	<b>45510</b>

