

FLOW REGULATOR
**ACCESSORIES
MANUAL PNEUMATIC DISTRIBUTORS**


The flow regulators series 900 are available with one way or two ways air flow regulation. The range is composed by regulators with 1/8", 1/4" and 1/2" connection. The body is made of anodized aluminium while the needle is in nickel plated brass. The mounting is possible by holes in valve body.

TECHNICAL DATA
FLOW RATES

Size	Port	Fole rate NI/min.				
		3	4	5	6	7
A	1/8"	152	180	214	250	285
B	1/4"	243	289	342	406	457
C	1/2"	908	1078	1277	1490	1702
Pressure bar		3	4	5	6	7

CONSTRUCTIVE FEATURES

Ports	1/8" - 1/4" - 1/2"
Functions	One way Two ways
Body	Anodized aluminium
Regulation niddle	Nickel plated brass
Seals	Nitrilic rubber NBR
Mounting	Holes on valve body

TECHNICAL DATA

Fluid	Filtered air
Lubrication	With or without lubrication
Lubricant	Compatible with NBR (3°÷10° E) class H

TECHNICAL FEATURES

Denomination	Taglia		
	A	B	C
Nominal diameter mm.	3,5	7	11
Operating pressure	1 ÷ 10 bar		
Temperature range	-10°C +60°C		

RANGE

1 NOTCH FLOW REGULATOR



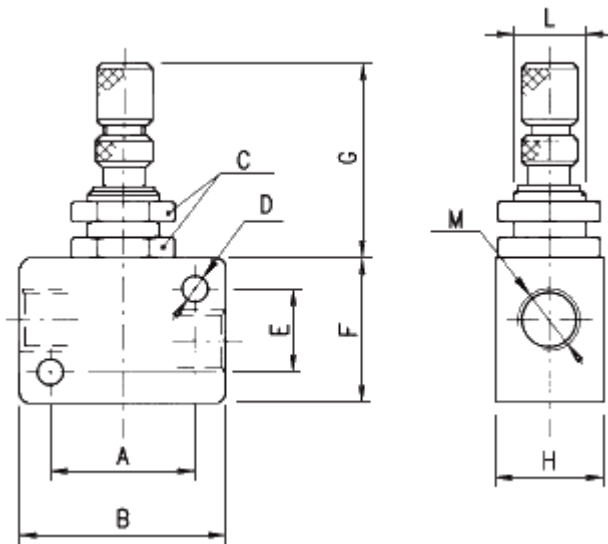
	Symbol	Size	Port	Weight g	Model
ONE WAY		A	1/8"	53	901
		B	1/4"	90	902
		C	1/2"	208	904
TWO WAYS		A	1/8"	53	911
		B	1/4"	90	912
		C	1/2"	208	914

3 NOTCH FLOW REGULATOR



	Symbol	Size	Port	Weight g	Model
ONE WAY		A	1/8"	53	901/3
		B	1/4"	90	902/3
TWO WAYS		A	1/8"	53	911/3
		B	1/4"	90	912/3

DIMENSIONS



	Size	Port	A	B	C	D	E	F	G	H	L	M	Model
ONE WAY	A	1/8"	23	32	CH15	4,5	13	22	35	17	M12	1/8"	901-901/3
	B	1/4"	30	40	CH15	4,5	22	32	35	22	M12	1/4"	902-902/3
	C	1/2"	43	56	CH24	6,5	27	42	43	27	M18	1/2"	904
TWO WAYS	A	1/8"	23	32	CH15	4,5	13	22	35	17	M12	1/8"	911-911/3
	B	1/4"	30	40	CH15	4,5	22	32	35	22	M12	1/4"	912-912/3
	C	1/2"	43	56	CH24	6,5	27	42	43	27	M18	1/2"	914

