

ONE WAY FLOW REGULATORS



ACCESSORIES MANUAL PNEUMATIC DISTRIBUTORS

RG series regulators can be assembled directly on pneumatic cylinders and valves connections. The one way regulation can be done manually by knurled knob or screwing the heads of the regulator. Connections available from M5 to 3/8" (tube from $\varnothing 4$ to $\varnothing 10$). These regulators have nickel plated brass and OT 58 needle.

TECHNICAL DATA

FLOW RATES

(direction to needle)

Port	Flow rate	Model Regulator	Model Manual regulator
Tubo 4-M5	0 ÷ 70	RG 4/5RE-U	RGM 4/5RE-U
Tubo 4-1/8"	0 ÷ 70	RG 4/8RE-U	RGM 4/8RE-U
Tubo 6-1/8"	0 ÷ 150	RG 6/8RE-U	RGM 6/8RE-U
Tubo 6-1/4"	0 ÷ 225	RG 6/4RE-U	RGM 6/4RE-U
Tubo 8-1/8"	0 ÷ 150	RG 8/8RE-U	RGM 8/8RE-U
Tubo 8-1/4"	0 ÷ 280	RG 8/4RE-U	RGM 8/4RE-U
Tubo 10-1/4"	0 ÷ 330	RG 10/4RE-U	RGM 10/4RE-U
Tubo 10-3/8"	0 ÷ 620	RG 10/3RE-U	RGM 10/3RE-U

CONSTRUCTIVE FEATURES

Functions	Flow regulators
Body	Nickel plated brass
Regulation needle	Nickel plated brass
Seals	Nitrilic rubber NBR
Mounting	In any position

TECHNICAL DATA

Fluid	Filtered air
Lubricant	Compatible with NBR (3° ÷ 10° E) class H

TECHNICAL FEATURES

Operating pressure	1 ÷ 10 bar
Temperature range	-10°C ÷ +60°C

RANGE

SCREWING HEAD



	Symbol	Model
Regulation IN		RG*RE
Regulation OUT		RG*RU

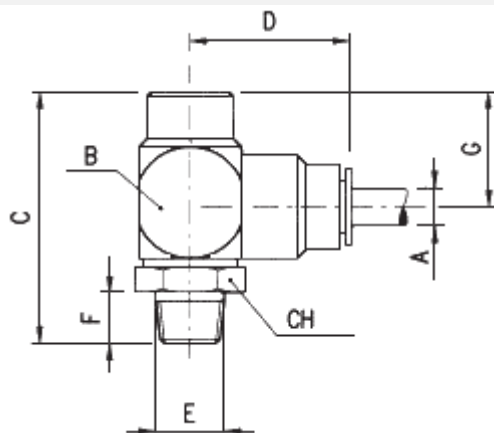
KNURLED KNOB



	Symbol	Model
Regulation IN		RGM*RE
Regulation OUT		RGM*RU

DIMENSIONS

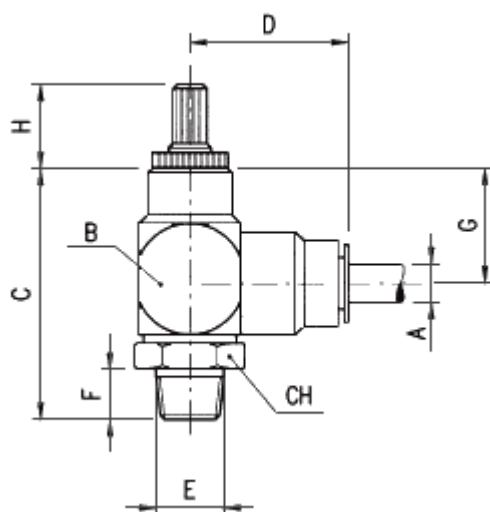
SCREWING HEAD



	Port	Orifice	A	B	C	D	E	F	G	CH	Model Regulator
FLOW REGULATORS	Tubo 4-M5	2,25	4	10	20,5	21	M5	3	12	7	RG 4/5RE-U
	Tubo 4-1/8"	2,25	4	10	28	21	1/8"	7,5	12	10	RG 4/8RE-U
	Tubo 6-1/8"	3,5	6	16	38,5	26,5	1/8"	7,5	18	15	RG 6/8RE-U
	Tubo 6-1/4"	3,5	6	16	40	25,5	1/4"	9	18	15	RG 6/4RE-U
	Tubo 8-1/8"	6	8	16	38,5	26,5	1/8"	7,5	18	15	RG 8/8RE-U
	Tubo 8-1/4"	6	8	16	40	26,5	1/4"	9	18	15	RG 8/4RE-U
	Tubo 10-1/4"	8	10	18	44	27,5	1/4"	9	20	18	RG 10/4RE-U
	Tubo 10-3/8"	8	10	18	46,5	27,5	3/8"	11,5	20	18	RG 10/3RE-U



KNURLED KNOB



	Ports	Orifice	A	B	C	D	E	F	G	CH	H	Model Manual regulator
FLOW REGULATORS MANUAL	Tubo 4-M5	2,25	4	10	20,5	21	M5	3	12	7	12	RGM 4/5RE-U
	Tubo 4-1/8"	2,25	4	10	28	21	1/8"	7,5	12	10	12	RGM 4/8RE-U
	Tubo 6-1/8"	3,5	6	16	38,5	26,5	1/8"	7,5	18	15	17	RGM 6/8RE-U
	Tubo 6-1/4"	3,5	6	16	40	25,5	1/4"	9	18	15	17	RGM 6/4RE-U
	Tubo 8-1/8"	6	8	16	38,5	26,5	1/8"	7,5	18	15	17	RGM 8/8RE-U
	Tubo 8-1/4"	6	8	16	40	26,5	1/4"	9	18	15	17	RGM 8/4RE-U
	Tubo 10-1/4"	8	10	18	44	27,5	1/4"	9	20	18	17	RGM 10/4RE-U
	Tubo 10-3/8"	8	10	18	46,5	27,5	3/8"	11,5	20	18	17	RGM 10/3RE-U

