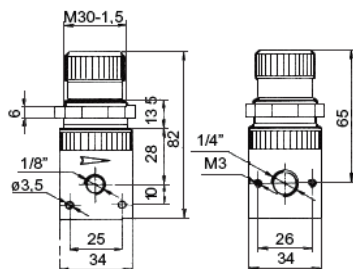


FRL GROUPS

SERIES X

RANGE

REGULATOR



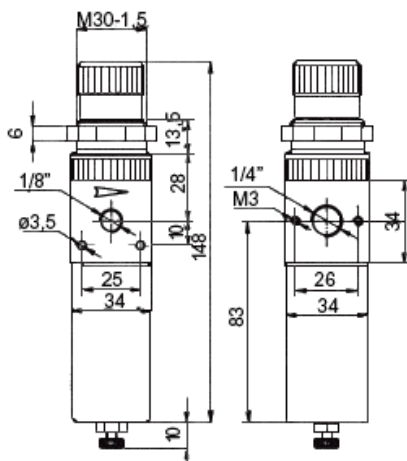
TECHNICAL FEATURES

Flow rate at 6 bar (87 psi)	400 NI/min
Max input pressure	12 bar
Gauge connection	1/8"
Weight XR 8 - XR 4	135 g
Screws for wall fixing	M3x40

TECHNICAL DATA

Size	Adjusting range (bar)	Model
G 1/8"	0,7 - 12	XR 8
G 1/4"	0,1 - 3,5	XR 8S
G 1/4"	0,7 - 12	XR 4
G 1/4"	0,1 - 3,5	XR 4S

FILTER REGULATOR



TECHNICAL FEATURES

Flow rate at 6 bar (87 psi)	365 NI/min
Max input pressure	12 bar
Gauge connection	G 1/8"
Weight XFRU 8 - XFRU 4	170 g
Screws for wall fixing	M3x40

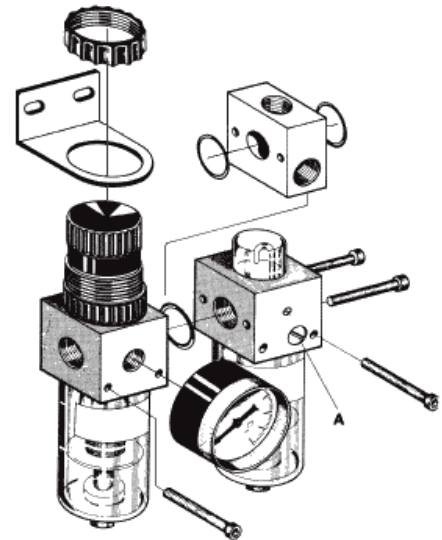
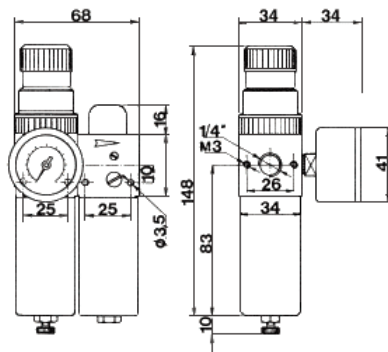
TECHNICAL DATA

Size	G 1/8"	G 1/4"
Adjusting range	0,7 - 12 bar	
Version	Manual exhaust	
Filter element	20 µm	
Model	XFRU 8	XFRU 4
Adjusting range 0,1 - 3,5 bar	S	
Filter element 5 µm	X	

FILTER REGULATOR + LUBRICATOR



ASSEMBLY PROCEDURES



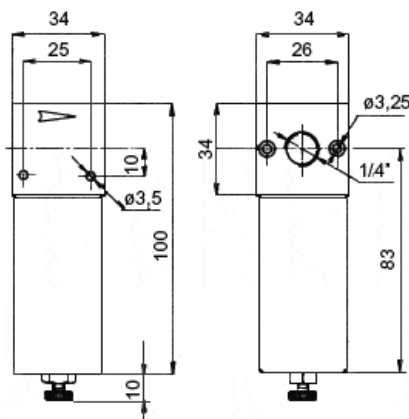
TECHNICAL FEATURES

Flow rate at 6 bar	365 NI/min
Weight XFRUL 8 - XFRUL 4	320 g

TECHNICAL DATA

Size	G 1/8"	G 1/4"
Version	Manual exhaust	
Filter element	20 µm	
Model	XFRUL 8	XFRUL 4
Adjusting range 0,1 - 3,5 bar	S	
Manual exhaust (filter element 5 µm)	X	

FILTER



TECHNICAL FEATURES

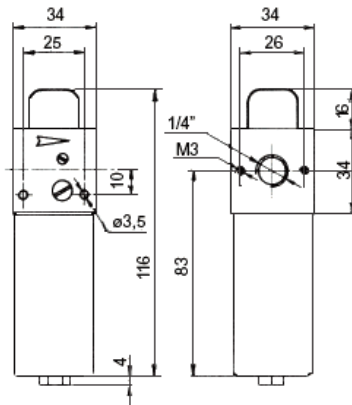
Flow rate at 6 bar	400 NI/min
Max input pressure	12 bar
Weight XF 8 - XF 4	150 g
Screws for wall fixing	M3x40

TECHNICAL DATA

Size	G 1/8"	G 1/4"
Version	Manual exhaust	
Filter element	20 µm	
Model	XFRU 8	XFRU 4
Adjusting range 0,1 - 3,5 bar	S	
Manual exhaust (filter element 5 µm)	X	



LUBRICATOR



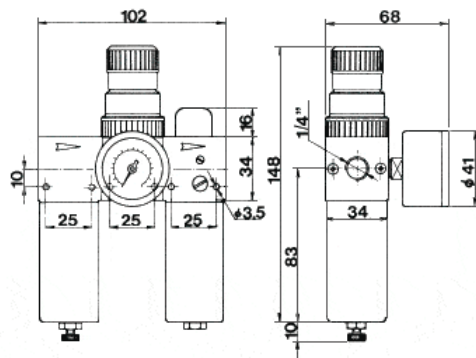
TECHNICAL FEATURES

Flow rate at 6 bar	650 NI/min
Max input pressure	12 bar
Weight XL8 - XL4	150 g
Screws for wall fixing	M3x40

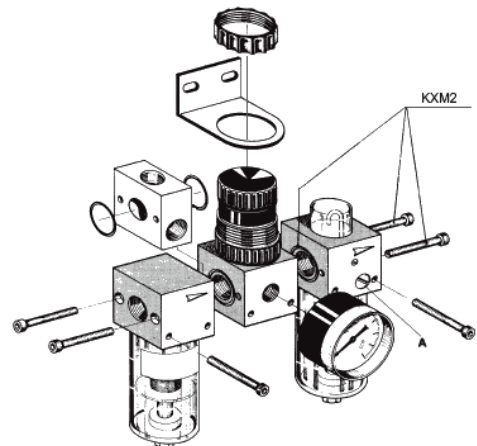
TECHNICAL DATA

Size	G 1/8"	G 1/4"
Cap capacity	13 cm ³	
Model	XL 8	XL 4

FILTER + REGULATOR + LUBRICATOR



ASSEMBLY PROCEDURES



TECHNICAL FEATURES

Flow rate at 6 bar	400 NI/min
Weight XFRL 8 - XFRL 4	435 g

TECHNICAL DATA

Size	G 1/8"	G 1/4"
Adjusting range	0,7 - 12 bar	
Version	Manual exhaust	
Filter element	20 µm	
Model	XFRL 8	XFRL 4
Adjusting range 0,1 - 3,5 bar	S	
Manual exhaust (filter element 5 µm)	X	

