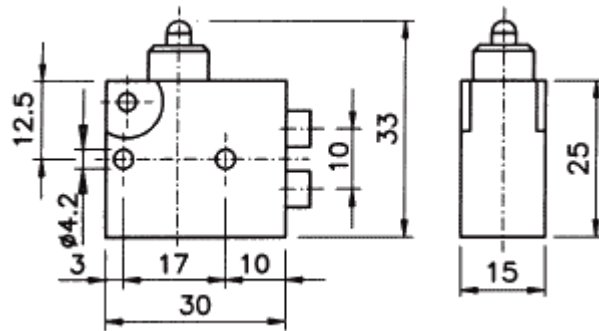


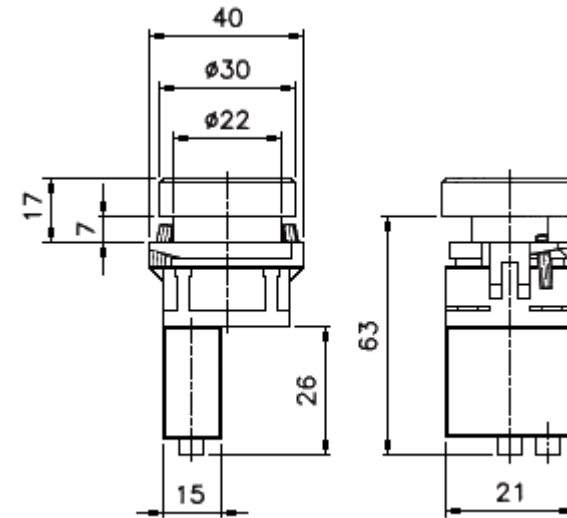
DIMENSIONS VALVES SERIES 310

PNEUMATIC VALVES MECHANICAL AND MANUAL OPERATED

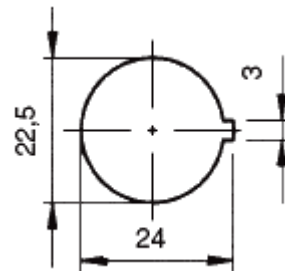
COMMON DIMENSIONS VALVES MECHANICAL OPERATED



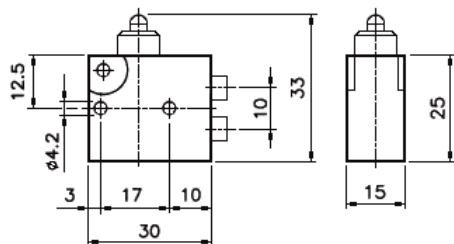
VALVES MANUAL OPERATED



HOLE DIMENSIONS



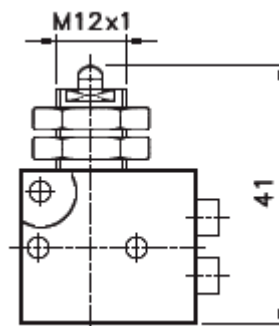
PIN



Port	Model
Tube Ø4	31000C



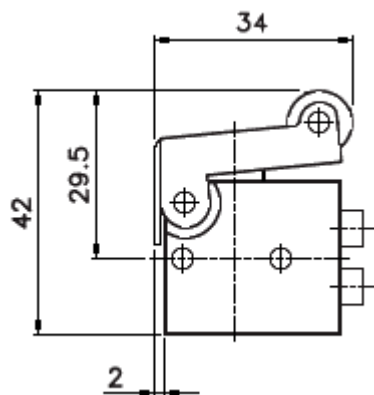
SCREW MOUNTING PIN



Port	Model
Tube Ø4	32000D



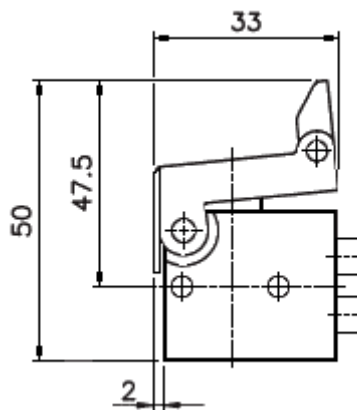
ROLLER LEVER



Port	Model
Tube Ø4	33000C



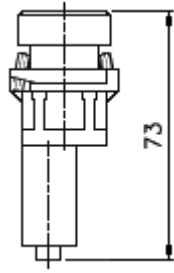
ONE WAY ROLLER LEVER



Port	Model
Tube Ø4	32000C



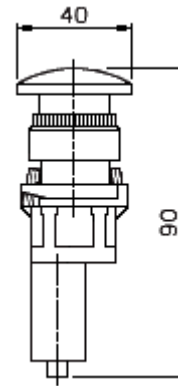
FLUSH PUSH BUTTON



Port	Model
Tube Ø4	34001



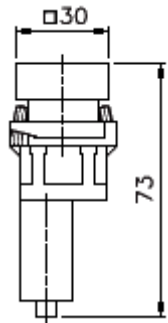
MUSHROOM PUSH BUTTON



Port	Model
Tube Ø4	34002/3



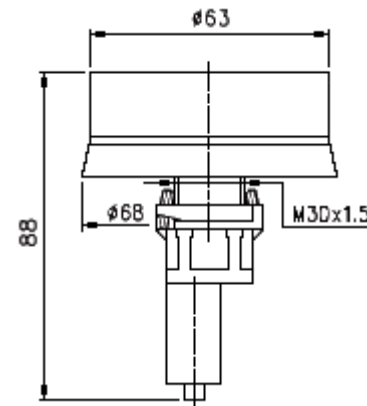
SQUARE PUSH BUTTON



Port	Model
Tube Ø4	34008



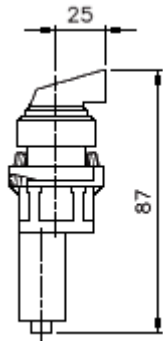
PUSH BUTTON



Port	Model
Tube Ø4	34063



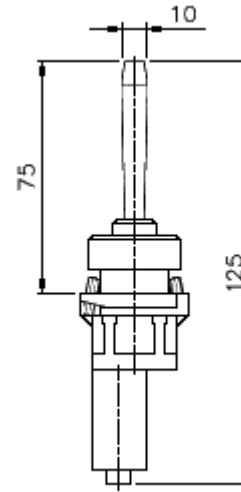
LEVER



Port	MODEL
Tube Ø4	34005



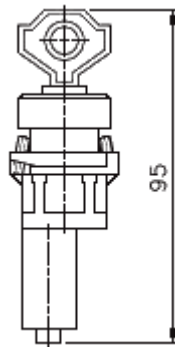
OSCILLATING LEVER



Port	Model
Tube Ø4	34004



KEY



Port	Model
Tube Ø4	34007

