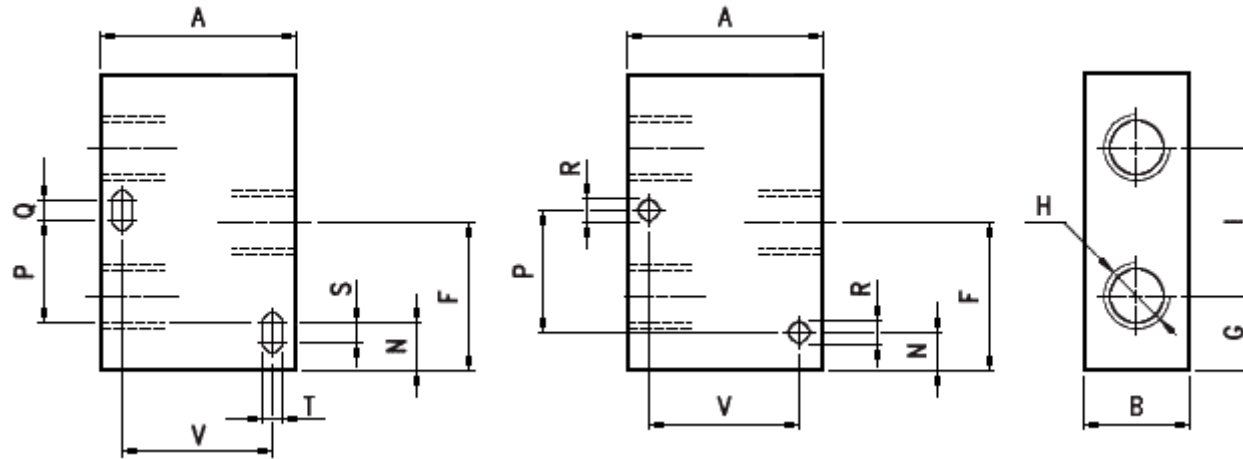


DIMENSIONS VALVES SERIES 330

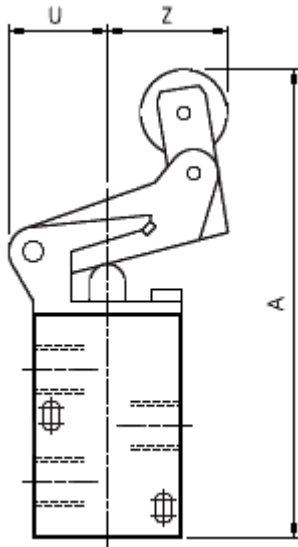
PNEUMATIC VALVES MECHANICAL OPERATED

COMMON DIMENSIONS



Size	Port	A	B	F	G	H	I	N	P	Q	R	S	T	V
							mm.							
A	1/8"	23	16	19	9,7	1/8"	19,5	5	17,5	1,5	-	3	4	30
B	1/4"	30	25	28	15	1/4"	30	5	25	-	5,3	-	-	40
C	1/2"	41	25	37,5	17	1/2"	39	5	32	-	5,3	-	-	50

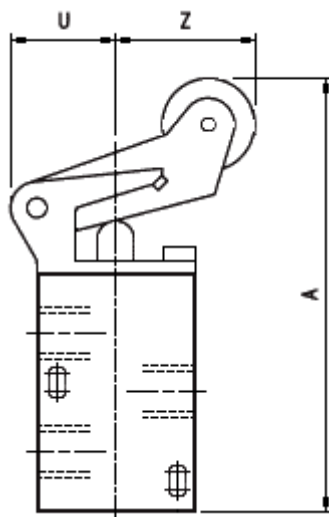
ONE WAY ROLLER LEVER 2/2 - 3/2 ways



	Size	Port	Roller stroke		A	U	Z	Model
			min.	max.				
					mm.			
PILOT SPRING 2/2 WAYS	A	1/8"	5	9	93	20	27	32111
PILOT SPRING 3/2 WAYS	A	1/8"	5	9	93	20	27	32311

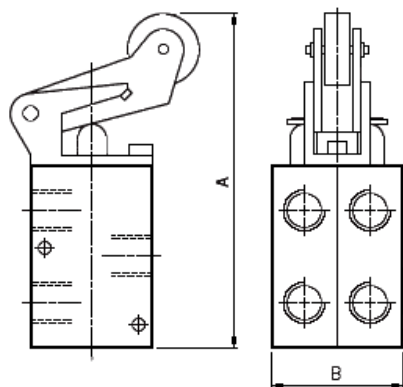
ROLLER LEVER 2/2 - 3/2 ways





	Size	Port	Roller stroke		A	U	Z	Model
			min.	max.				
			mm.					
PILOT SPRING 2/2 WAYS	A	1/8"	6,5	9,5	83	20	24	33131
	A	1/8"	6,5	9,5	83	20	24	33331 33431
PILOT SPRING 3/2 WAYS	B	1/4"	10,5	13,5	105	26	32	33333

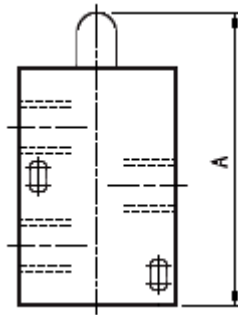
ROLLER LEVER 5/2 ways



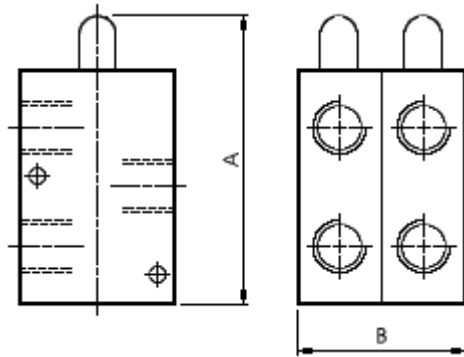
Size	Port	Roller stroke		A	B	Model
		min.	max.			
		mm.				
A	1/8"	6,5	9,5	83	36	33731
B	1/4"	10,5	13,5	105	50	33733

PIN 2/2 - 3/2 ways





	Size	Port	Pin stroke		A	Model
			min.	max.		
			mm.			
PILOT SPRING 2/2 WAYS	A	1/8"	3,5	5,5	56	31101
	A	1/8"	3,5	5,5	56	31301 31401
PILOT SPRING 3/2 WAYS	B	1/4"	4,5	7	74	31303 31403
	C	1/2"	5	7	89	31306 31406



Size	Port	Pin stroke		A	B	Model
		min.	max.			
		mm.				
A	1/8"	3,5	5,5	56	36	31701
B	1/4"	4,5	7,0	74	50	31703

