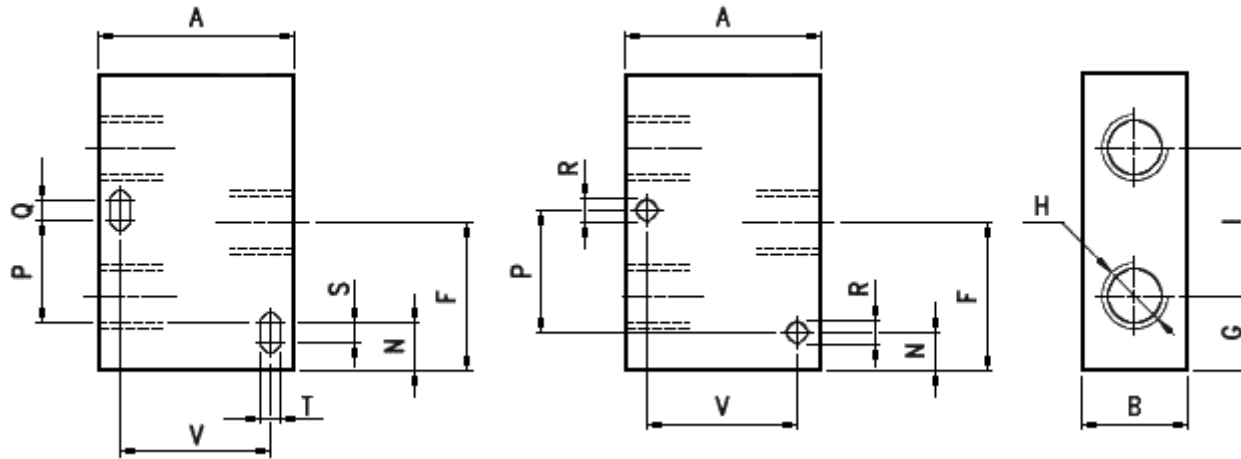


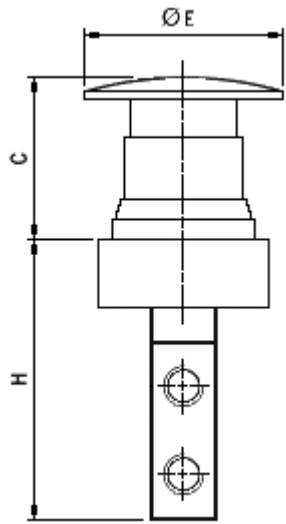
**DIMENSIONS VALVES SERIES 340**  
**PNEUMATIC VALVES MANUAL OPERATED**

**COMMON DIMENSIONS**



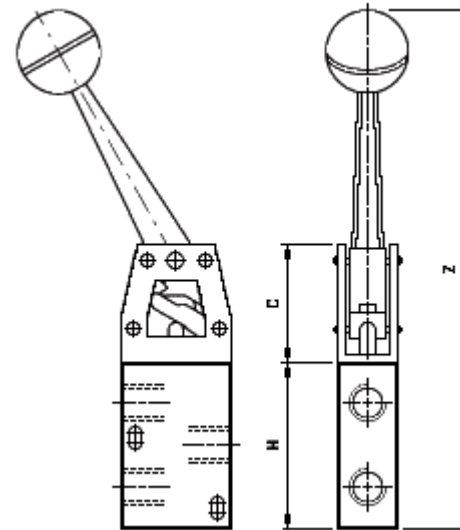
Size	Port	A	B	F	G	H	I	N	P	Q	R	S	V
mm.													
A	1/8"	23	16	19	9,7	1/8"	19,5	5	17,5	1,5	-	3	30
B	1/4"	30	25	28	15	1/4"	30	5	25	-	5,3	-	40
C	1/2"	41	25	37,5	17	1/2"	39	5	32	-	5,3	-	50

### HEAD PUSH BUTTON



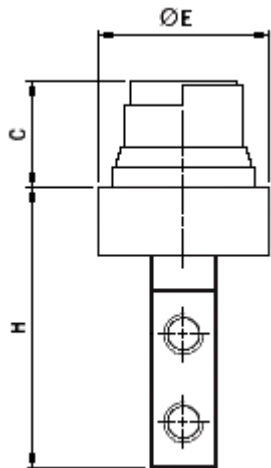
Size	Port	C	E mm.	H	Model
A	1/8"	41	50	71	<b>34114</b> <b>34214</b> <b>34314</b> <b>34414</b>

### LEVER 3/2 ways



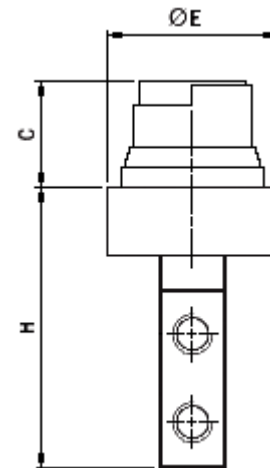
Size	Port	C	H	Z	Model
		mm.			
A	1/8"	31	45	145	<b>35311</b>
B	1/4"	38	60	170	<b>35313</b>
C	1/2"	38	75	180	<b>35316</b>

### SHROUDED PUSH BUTTON



Size	Port	C	E mm.	H	Model
A	1/8"	27	43	71	<b>34111</b> <b>34211</b> <b>34311</b> <b>34411</b>

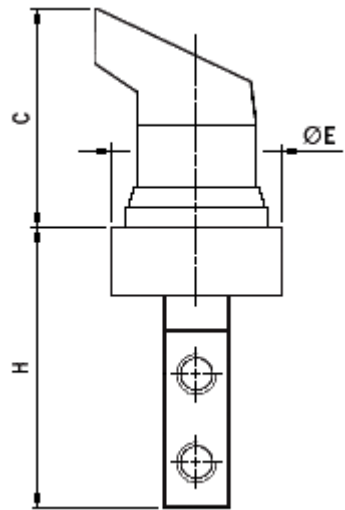
### STANDARD PUSH BUTTON



Size	Port	C	E mm.	H	Model
A	1/8"	41	43	71	<b>34113</b> <b>34213</b> <b>34313</b> <b>34413</b>

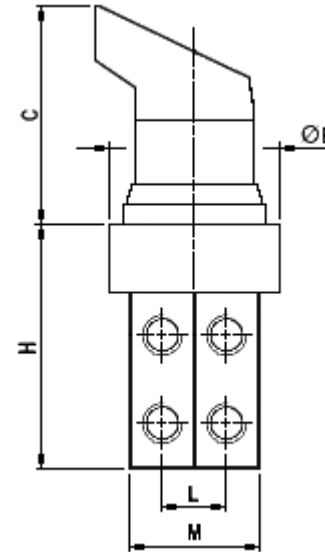


### LEVER 2/2-3/2 ways



Size	Port	C	E mm.	H	Model
A	1/8"	56	43	59	<b>34118</b> <b>34318</b>

### LEVER 5/2-5/3 ways



Size	Port	C	E	H mm.	L	M	Model
A	1/8"	56	43	59	16	32	<b>34518</b> <b>34121</b>

### HOLE DIMENSIONS

