

ACCESSORIES **PNEUMATIC VALVES SERIES CETOP**

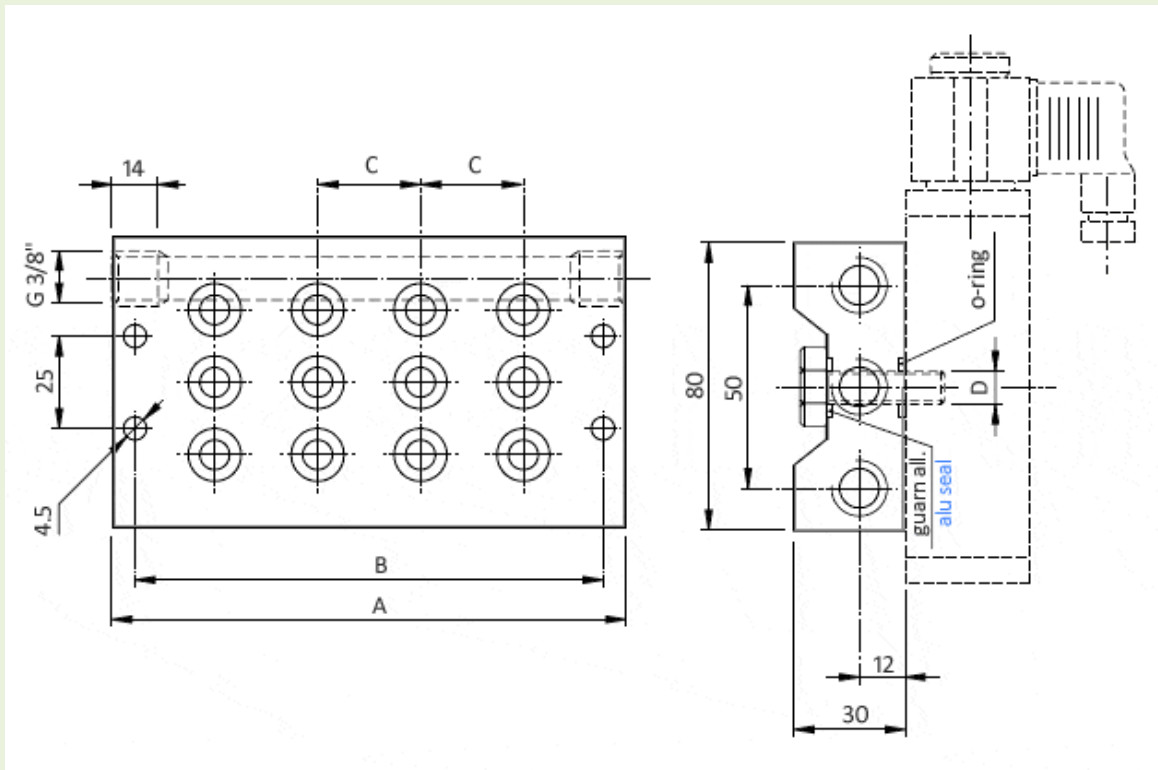
SUB-BASES



Valve	Port	Model								Dimensions
A	1/8"	BCR 82	BCR 83	BCR 84	BCR 85	BCR 86	BCR 87	BCR 88	A	
A	1/4"	BCR 12	BCR 13	BCR 14	BCR 15	BCR 16	BCR 17	BCR 18		
B	1/4"	BCR 42	BCR 43	BCR 44	BCR 45	BCR 46	BCR 47	BCR 48		
B	3/8"	BCR 22	BCR 23	BCR 24	BCR 25	BCR 26	BCR 27	BCR 28		
N° of the stations		2 stations	3 stations	4 stations	5 stations	6 stations	7 stations	8 stations		

Supplied complete of fixing screws

A



VALVE SIZE		2 stations	3 stations	4 stations	5 stations	6 stations	7 stations	8 stations
A 1/8" 1/4"	A	81	108	135	162	189	216	243
	B	69	96	123	150	177	204	231
	C				27			
	D				G1/8"			
B 1/4" 3/8"	A	108	140,5	173	205,5	238	270,5	303
	B	96	128,5	161	193,5	226	258,5	291
	C				32,5			
	D				G1/4"			

CPIL - CONNECTOR

VERSION 5W



COIL E*

Coil 5W

*specify voltage, coil 2.5 W consumption on request



CONNECTOR 1

Connector

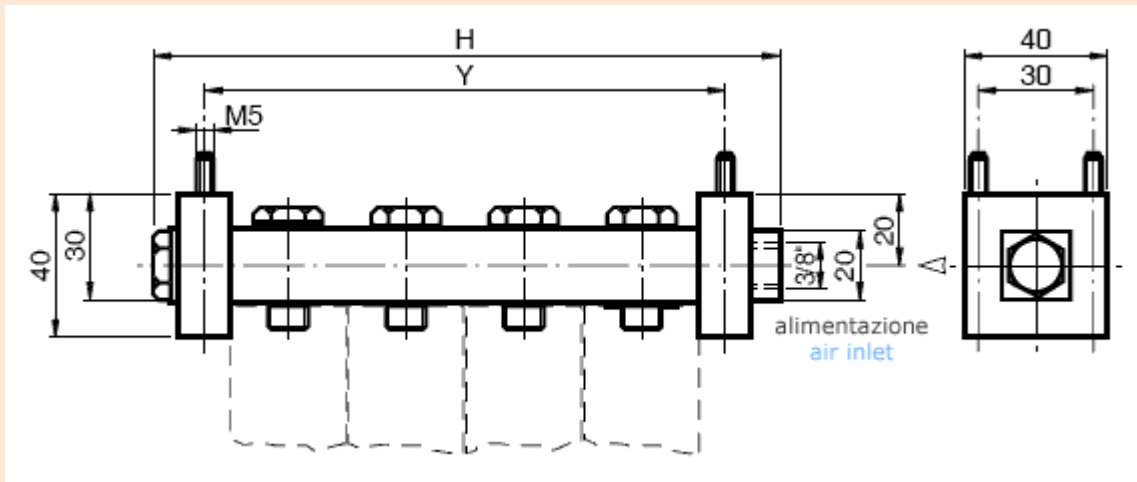
IN LINE COLLECTORS



Valve	Port	Model					Dimensions
A	1/8"	CT 602	CT 603	CT 604	CT 605	CT 606	B
A	1/4"	CT 612A	CT 613A	CT 614A	CT 615A	CT 616A	
B	1/4"	CT 612B	CT 613B	CT 614B	CT 615B	CT 616B	
B	3/8"	CT 622	CT 623	CT 624	CT 625	CT 626	
N° of the stations		2 stations	3 stations	4 stations	5 stations	6 stations	

Supplied complete of fixing screws and mounting feet

B



PORT		2 stations	3 stations	4 stations	5 stations	6 stations	Air inlet
A	H	87	110	133	156	179	3/8"
1/8"-1/4"	Y	60	83	106	129	152	
B	H	107	140	173	206	239	
1/4"-3/8"	Y	80	113	146	179	212	



HOLLOW BOLT FOR SEPARATE AIR CONNECTION BLANKING PLATES



Valve	Size	Screw models	Plate models
A	1/8"	10243	10240
A	1/4"	10481	
B	1/4"	10249	10246
B	3/8"	10482	

Supplied complete of fixing screws

