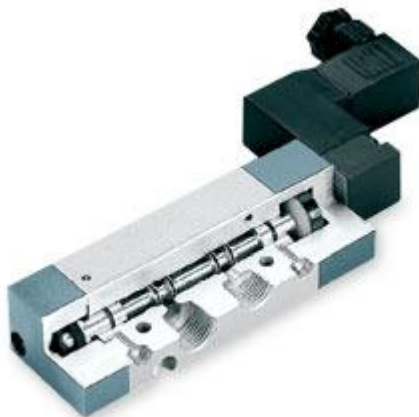


PNEUMATIC VALVES

BALANCED SPOOL VALVES SERIES K



The K series micro-valves with dynamic spool have extremely compact external dimensions and are available with 1/8" connections and pneumatic or electrical operation.

The body and the spool are made of anodized aluminium.

Mounting is possible on manifold or in line and on panel through the holes in valve body.

On request, available with ATEX certification



TECHNICAL DATA

CONSTRUCTIVE FEATURES

Port	1/8"G
Ways	5/2
Functions	Pneumatic-solenoid
Body	Extruded and anodized aluminium
Spool	Extruded and anodized aluminium
Seals	Nitrile rubber NBR
Fixing	Holes on valve body or on multiple sub-bases

FLOW RATES

Flow rate	NI/min.	470	550	630
Pressure	Bar	5	6	7
Nominal diameter	mm.	4		
Operating pressure	Bar	1,5 ÷ 7		
Minimum pilot pressure	Bar	1,8		
Temperature range		-10°C ÷ +60°C		
Fixing		In any position		

TECHNICAL DATA

Fluid	Filtered air
Lubrication	With or without lubrication
Lubricant	Compatible with NBR (3° ÷ 10° E) class H

ELECTRICAL FEATURES



Power consumption	2,5 W
DC voltages	12-24 V
AC voltages	24-48-11-220 V – 50/60 Hz
Duty cycle	100%
Permissible voltage fluctuation	-10% ÷ +15%
Protection	IP 65
Connector	2 positions 180°

