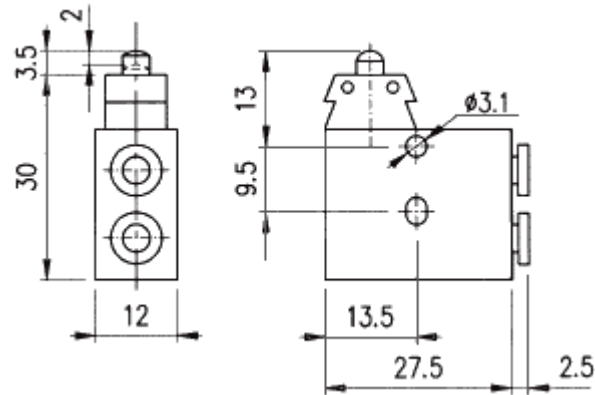


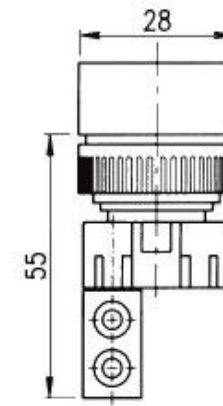
**DIMENSIONS VALVES SERIES MC1**

PNEUMATIC VALVES MECHANICAL AND MANUAL OPERATED

**COMMON DIMENSIONS VALVES MECHANICAL OPERATED**

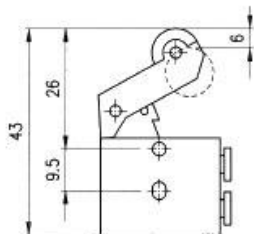


**VALVES MANUAL OPERATED**

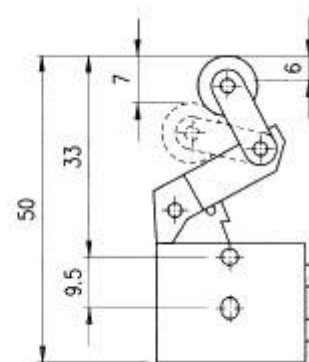


**ROLLER LEVER 3/2 ways**

**ONE WAY ROLLER LEVER 3/2 ways**



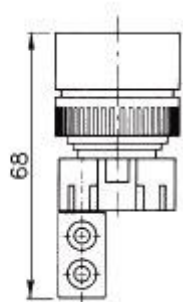
Size	Port	Model
A	Tube Ø4	MC1L



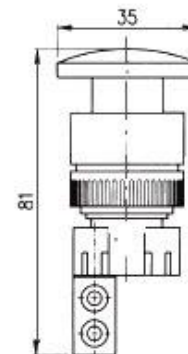
Size	Port	Model
A	Tube Ø4	MC1LS

### SHROUDED PUSH BUTTON 3/2 ways

### HEAD PUSH BUTTON 3/2 ways



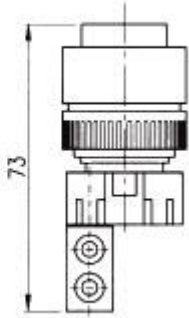
Port	Model
Tube Ø4	MPV 21



	Port	Model
PILOT SPRING 3/2 WAYS	Tube Ø4	MPE 21
DOUBLE PILOT 3/2 WAYS	Tube Ø4	MPE 22

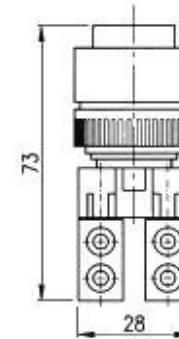


**KEY 3/2 ways**



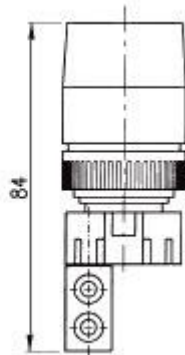
Port	Model
Tube Ø4	<b>MSC 22</b>

**KEY 5/3 ways O.C.**



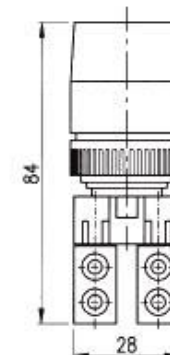
Port	Model
Tube Ø4	<b>MSC 33</b>

**STANDARD LEVER 3/2 ways**



Port	Model
Tube Ø4	<b>MSL 22</b>

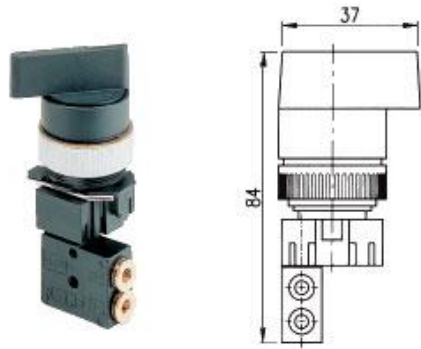
**STANDARD LEVER 5/3 ways**



Port	Model
Tube Ø4	<b>MSL 33</b>

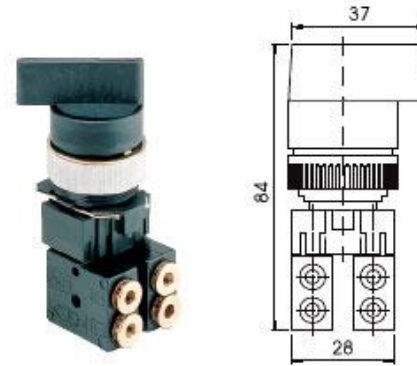


**LONG LEVER 3/2 ways**



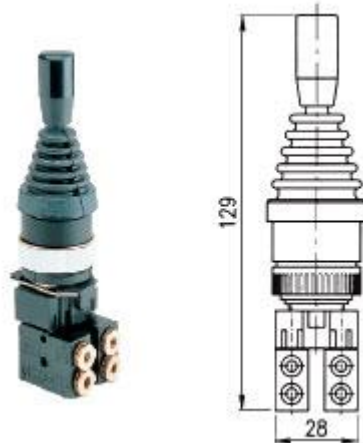
Port	Model
Tube Ø4	<b>MSLL 22</b>

**LONG LEVER 5/2 ways**



Port	Model
Tube Ø4	<b>MSL 33</b>

**LONG PUSH BUTTON 5/3 ways O.C.**



Port	Model
Tube Ø4	<b>MML 31</b>

