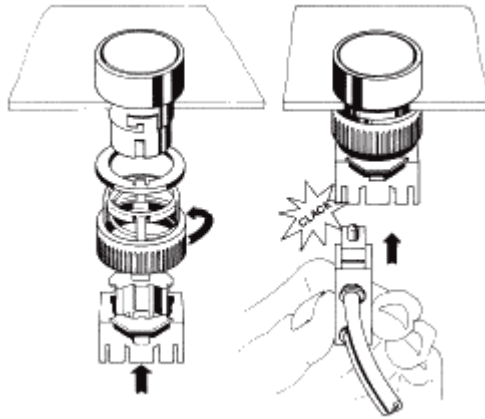
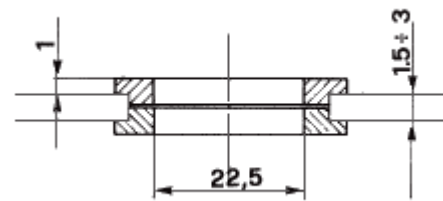


Mounting PNEUMATIC VALVES MANUAL OPERATED

ASSEMBLING OF MANUAL DEVICE TO MICRO VALVE



DISASSEMBLING OF MANUAL DEVICE FROM MINIATURE VALVE **REDUCTION RING**



PANEL MOUNTINGS OF ACTUATORS **HOLE POSITIONINGS ON PANEL**

