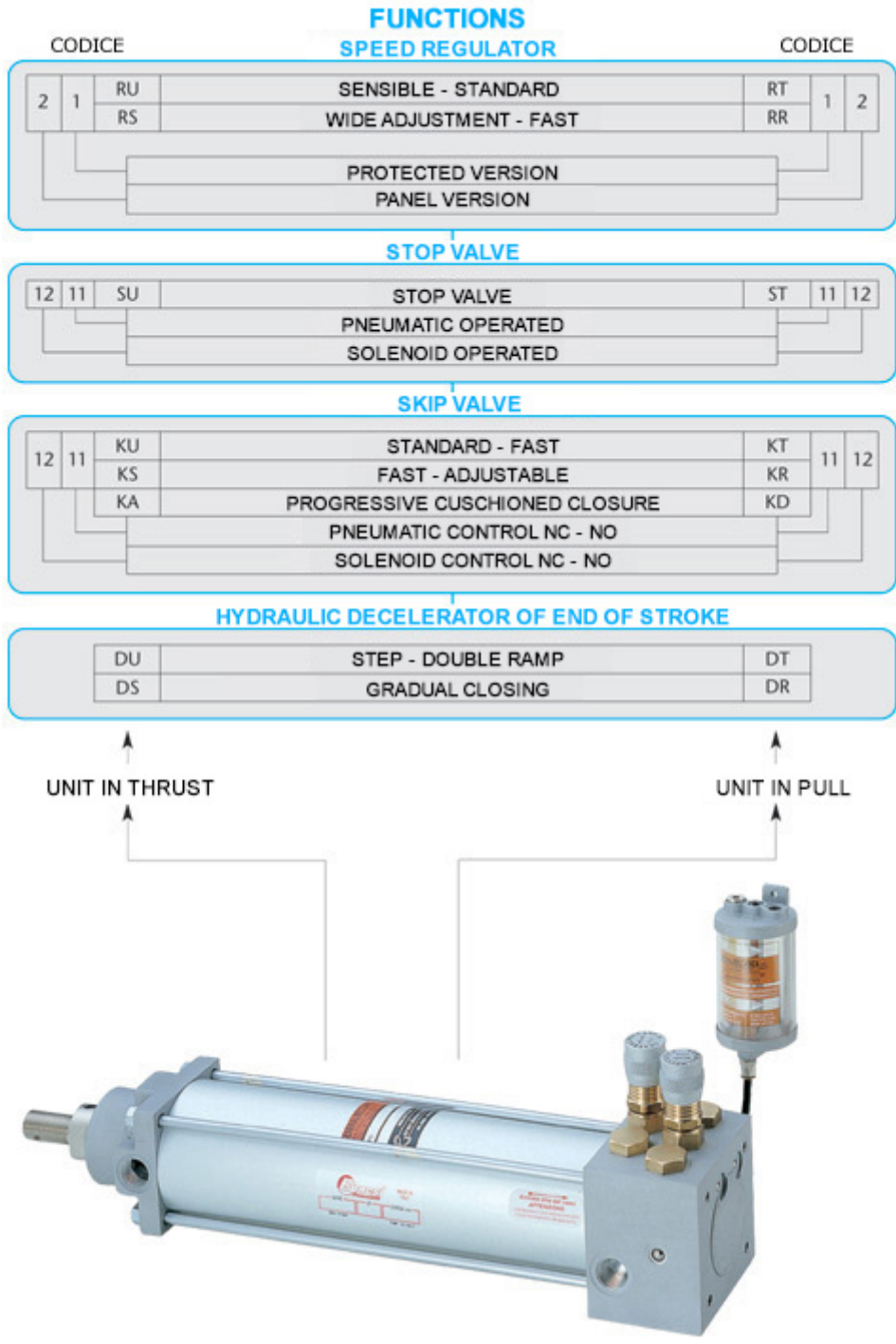


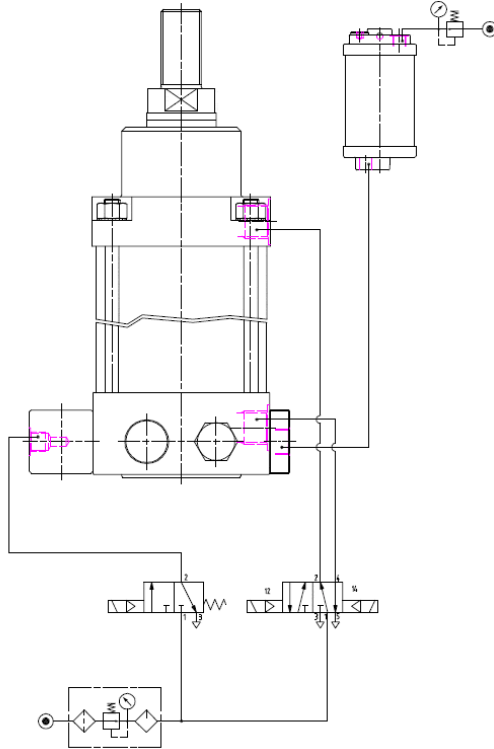
FUNCTIONS OF ADJUSTMENT OLEOPNEUMATIC CYLINDERS



Note : for the bore 50mm the functions shown in the table apply only for the forward or return stroke. It is not possible to create combinations in both directions.

ADJUSTMENT CIRCUITS

PNEUMATIC CIRCUIT UNIT SERIES US, SINGLE ADJUSTMENT



PNEUMATIC CIRCUIT UNIT SERIES US, DOUBLE ADJUSTMENT

