

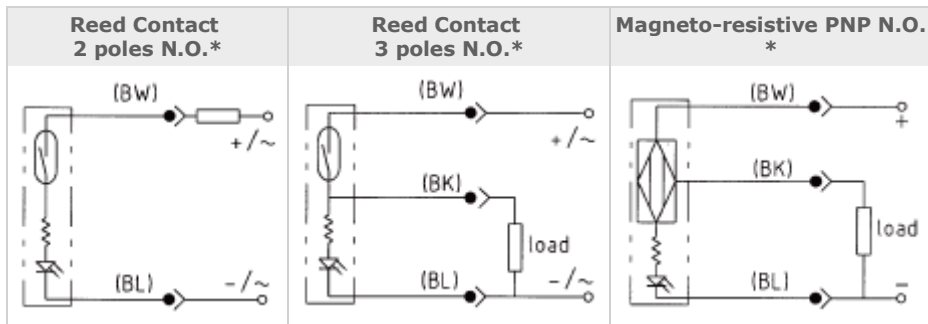
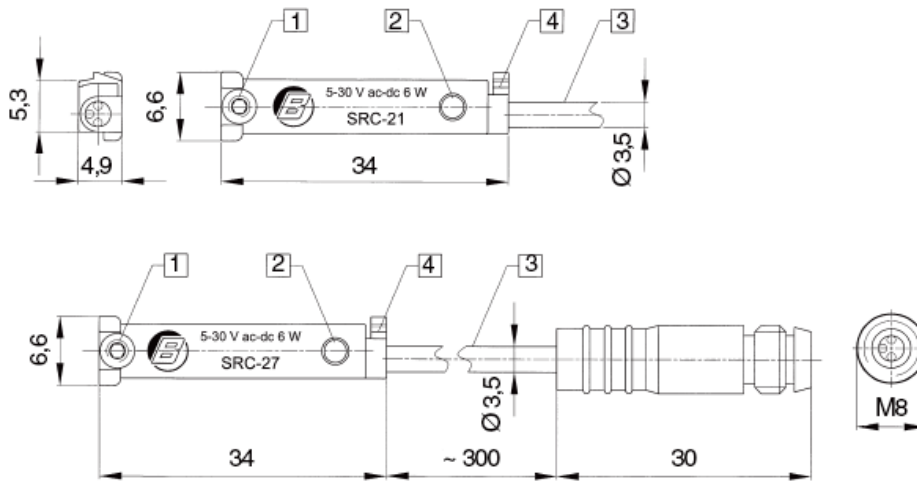
SENSOR

ELECTRIC AND ELECTRONIC SWITCHES

SENSOR TYPE SL



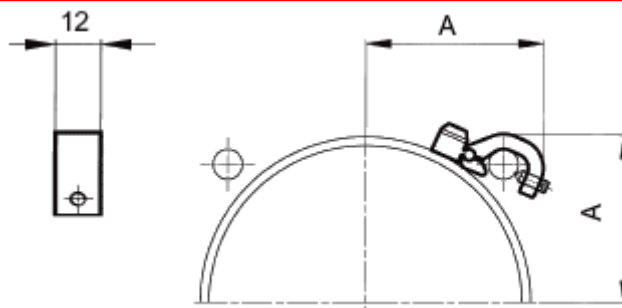
- 1 = Fixing screw(max 0,3 Nm)
- 2 = Lightning diode (LED)
- 3 = Type of electric connection



Code	SLC-61	SLC-21	SLC-27	SLD-21	SLD-27	SLN-21	SLN-27
Version	cable	cable	connector M8	cable	connector M8	cable	connector M8
Working tension	5-230 V ac/dc	5-30 V ac/dc		5-24 V ac/dc		6-30 V ac/dc	
Commutating current	0,2 A	max 0,2 A		max 0,25 A		max 0,20 A	
Power (ohmic loading)	6 W	max 6 W					
Commutating time	0,5 ms					0,8 μs	
Release time	0,1 ms					0,3μs	

Electric life	10 ² contacts				10 ³ contacts	
Working frequency	max 400 Hz				max 200 Hz	
Voltage fall	max 3V		-		max 1V	
Protection	IP 67					
Working temperature	-10°C+70°C					
Cable length m	2,5	0,3	2,5	0,3	2,5	0,3
Cable sectionmm ²	2x0,14			3x0,14		
Protection against polarity reversal	yes					

BRACKETS FOR SENSORS



Bore size	A (mm.)	Bracket code
50	43	ST-10
63	46	ST-10
80	58	ST-11
100	70	SL-81
125	78	SL-81
160	87	SL-81S
200	97	SL-81S

OPTIONAL



Regolatore da pannello



Tubi di collegamento
(Dimensioni a richiesta)



Valvola di sicurezza AIR
STOP



Olio idraulico
SUPERMATIC 46
VANGUARD

