

ACCESSORIES **CYLINDERS** **CU SERIES**

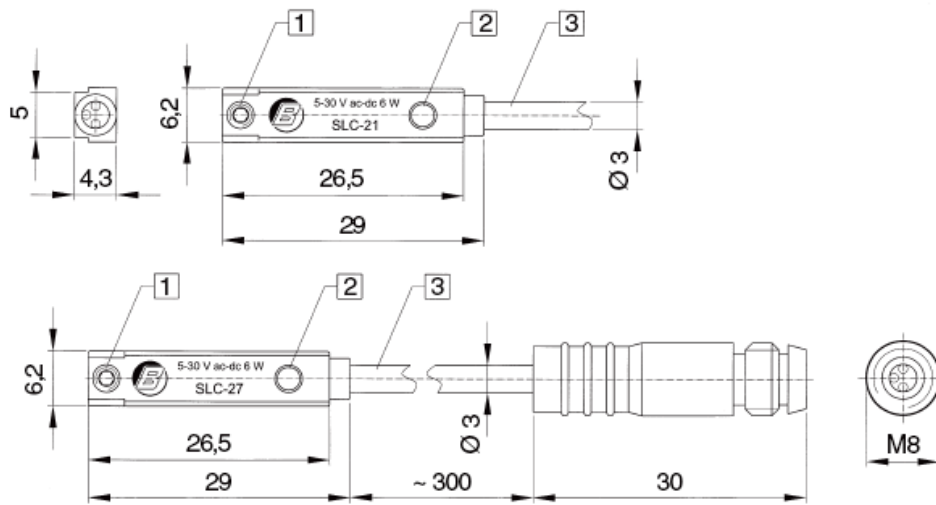
SENSORS

ELECTRIC AND ELECTRONIC SWITCHES

SENSOR TYPE SL- (longitudinal insertion in T-seat)



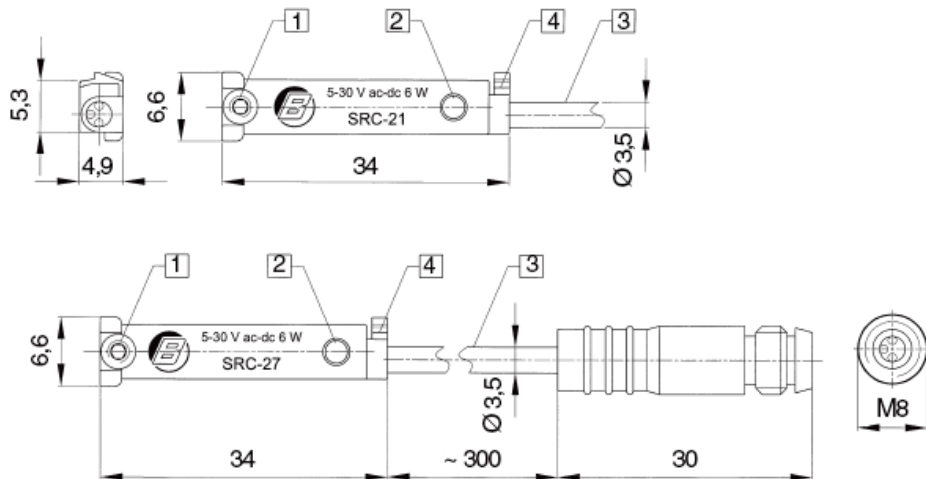
- 1 = Fixing screw(max 0,3 Nm)
- 2 = Lightning diode (LED)
- 3 = Type of electric connection



SENSOR TYPE SR- (radial insertion in T-seat)



- 1 = Fixing screw(max 0,3 Nm)
- 2 = Lightning diode (LED)
- 3 = Type of electric connection
- 4 = Rear clip



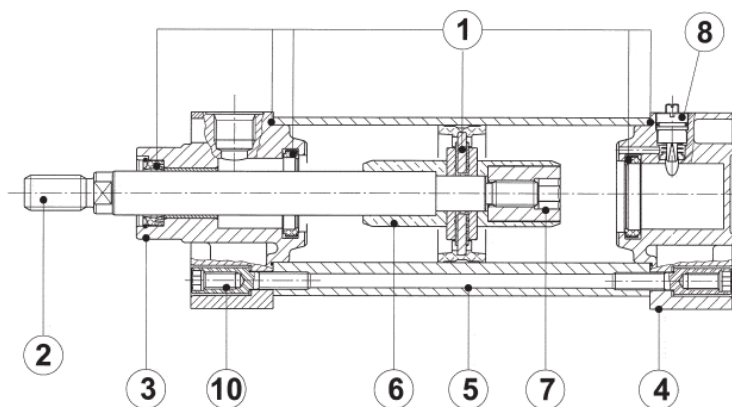
	Contact Reed 2 poles N.O.*			Contact Reed 3 poles N.O.*		Magneto-resistive PNP N.O. *	
Code	SLC-61 SRC-61	SLC-21 SRC-21	SLC-27 SRC-27	SLD-21 SRD-21	SLD-27 SRD-27	SLN-21 SRN-21	SLN-27 SRN-27
Version	cable	cable	Connector r M8	cable	Connector M8	cable	Connector M8
Working tension	5-230 V ac/dc	5-30 V ac/dc		5-24 V ac/dc		6-30 V ac/dc	
Commutating current	0,2 A	max 0,2 A		max 0,25 A		max 0,20 A	
Power (ohmic loading)	6 W	max 6 W					
Commutating time	0,5 ms						0,8 μs
Release time	0,1 ms						0,3μs
Electric life	10 ² contacts						10 ³ contacts
Working frequency	max 400 Hz						max 200 Hz
Voltage fall	max 3V			-		max 1V	
Protection	IP 67						
Working temperature	-10°C+70°C						
Cable length m	2,5	0,3	2,5	0,3	2,5	0,3	
Cable sectionmm ²	2x0,14			3x0,14			
Protection against polarity reversal	yes						

BRACKET FOR SENSOR

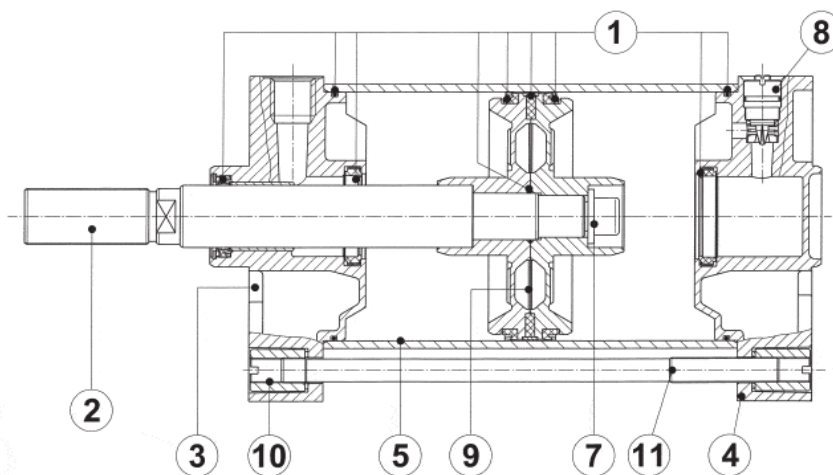
BRACKET FOR SENSOR			HOUSING FOR SENSORS TYPE SL and SR for cylinders series CX-CU with profile tube with T- seats
Tip SL for cylinders series CK	Type SL for cylinders series CN-CRR	TType SL for cylinders series CD-CN with tie rods	

SPARE PARTS

ALESAGGIO DA 32 A 125



ALESAGGIO DA 125 A 320



POS.	QUANTITY	CODE	DESCRIPTION
1	1	SG	Seals kit
2	1	ST	Piston rod
3	1	TA	Front end cap
4	1	TP	Rear end cap
5	1	CM	Body
6	2	OG	Ogive
7	1	GD	Ring nut or screw nut
8	2	DC	Decelerator
9	1	PT	Piston
10	4	TR	Tie rod
11	4	VT	Screw